



CRC

for

Premium

Quality

Wool

Instruments to Measure Fibre Diameter

Produced for the CRC for Premium Quality Wool undergraduate program by;
Michael Bow, retired, CSIRO Division of Wool Technology and,
David Petrie, The University of New South Wales,



Instrument Overview

- **Projection Microscope**
 - diameter & diameter variation
- **Airflow**
 - diameter only
- **Sirolan-Laserscan**
 - diameter & diameter variation
- **OFDA**
 - diameter & diameter variation

CRC

for

Premium

Quality

Wool



Sample Preparation

- IWTO-19
- Washed
 - Alcohol extract < 1.5%
- Lab Sample
 - Equal quantities from subsamples
 - approx. 30g
- Mechanical carding
 - Shirley Analyser
- Condition sample to equilibrium
 - standard atmosphere

CRC

for

Premium

Quality

Wool



Fibre Projection Microscope

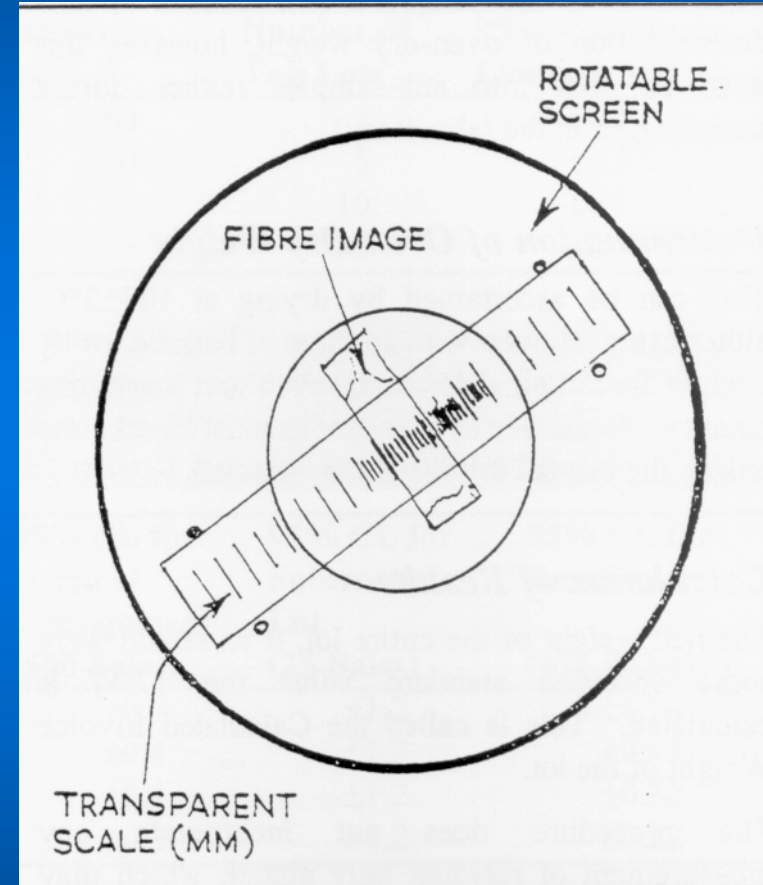
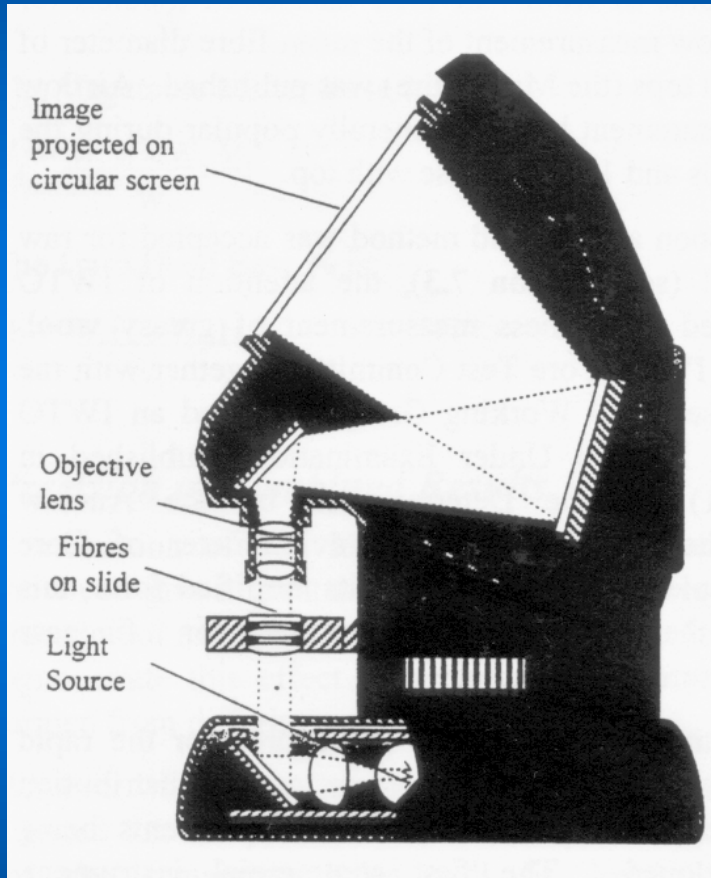
CRC

for

Premium

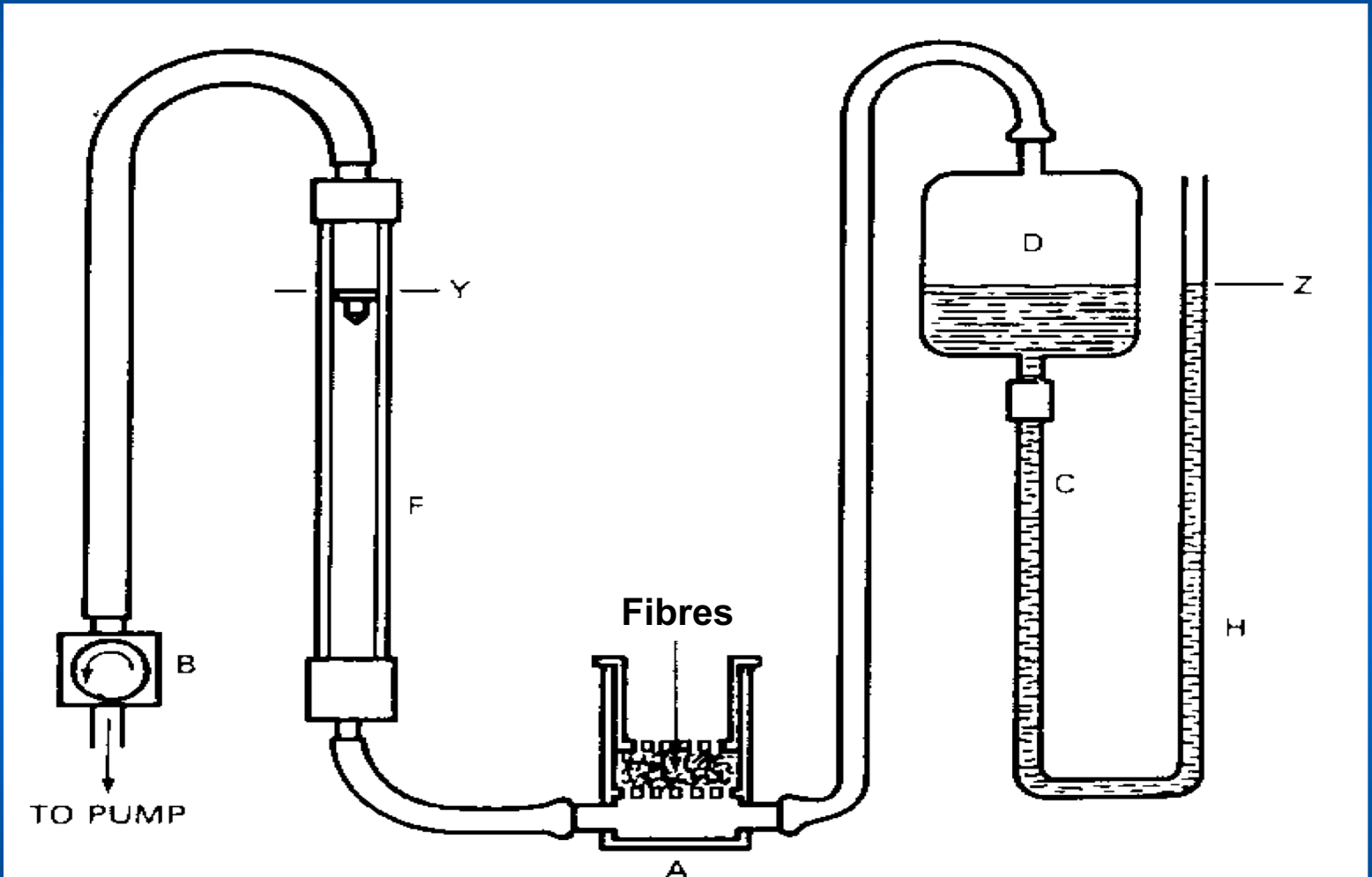
Quality

Wool





Airflow



CRC
for
Premium
Quality
Wool



Sampling for Laserscan & OFDA

Sample Process for TOPS

TOPS (1 minute)

GUILLOTINE



LASERSCAN



REPORT

Sample Process for GREASY WOOL

GREASY WOOL (3 minutes)

MINICORE



WASH



AIR BLAST



LASERSCAN

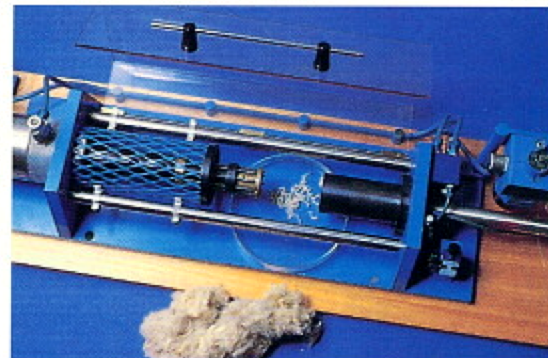


REPORT

GUILLOTINE



MINICORE PRESS



CRC

for

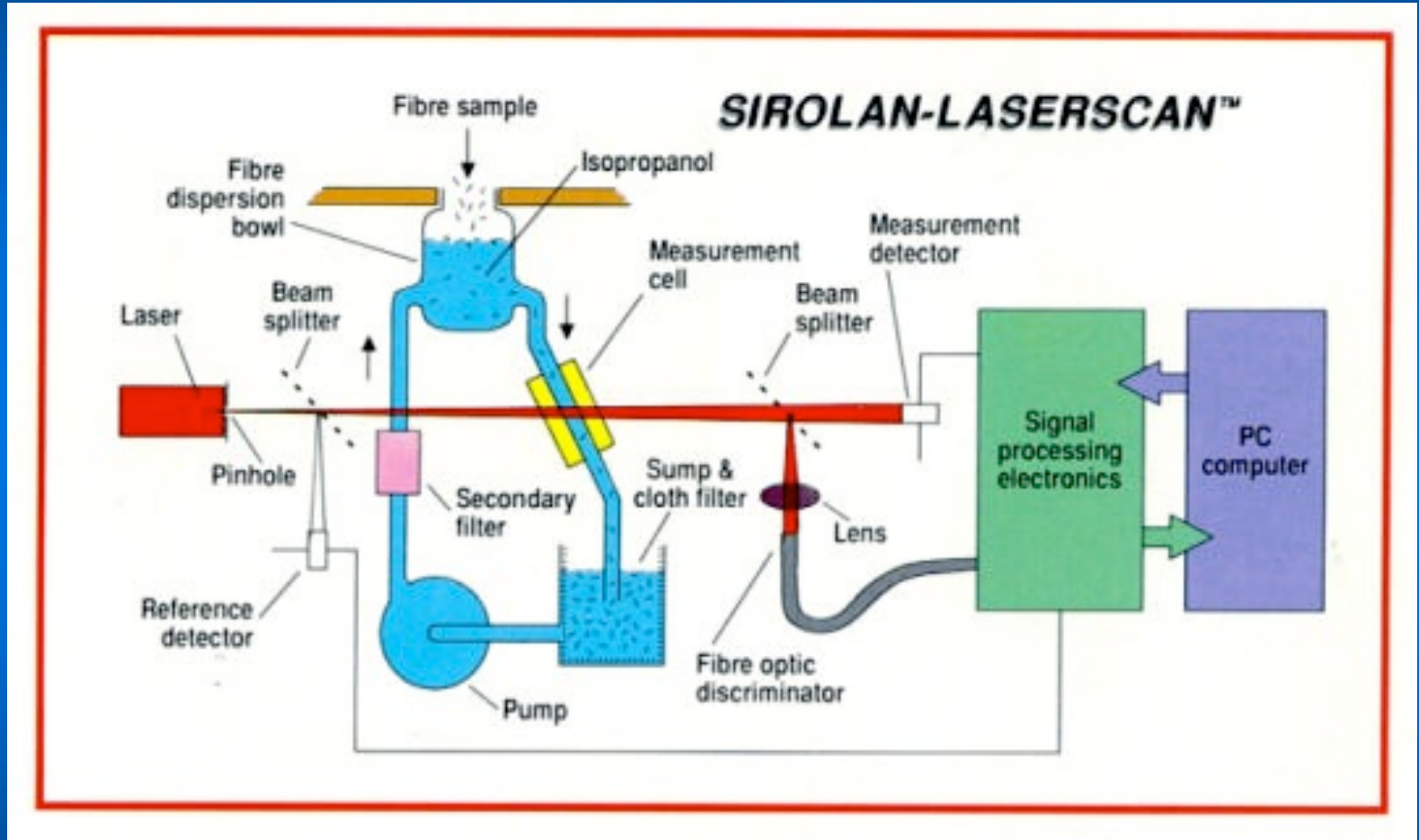
Premium

Quality

Wool



Sirolan-Laserscan



CRC

for

Premium

Quality

Wool



Optical Fibre Diameter Analyser (OFDA)

CRC

for

Premium

Quality

Wool

