



CRC

for

Premium

Quality

Wool

# Developments in Colour Measurement

Produced for the CRC for Premium Quality Wool undergraduate program by;  
Mr. Andrew Lindsay, Australian Wool Testing Authority Ltd.



# Measurement Developments

- High between - instrument variability
  - preparation
  - instrument type & set-up
  - cell design
- Problems addressed
  - cell design
  - IWTO DTM 56
  - WRONZ calibration wool
  - AWTA tile standard trials

CRC

for

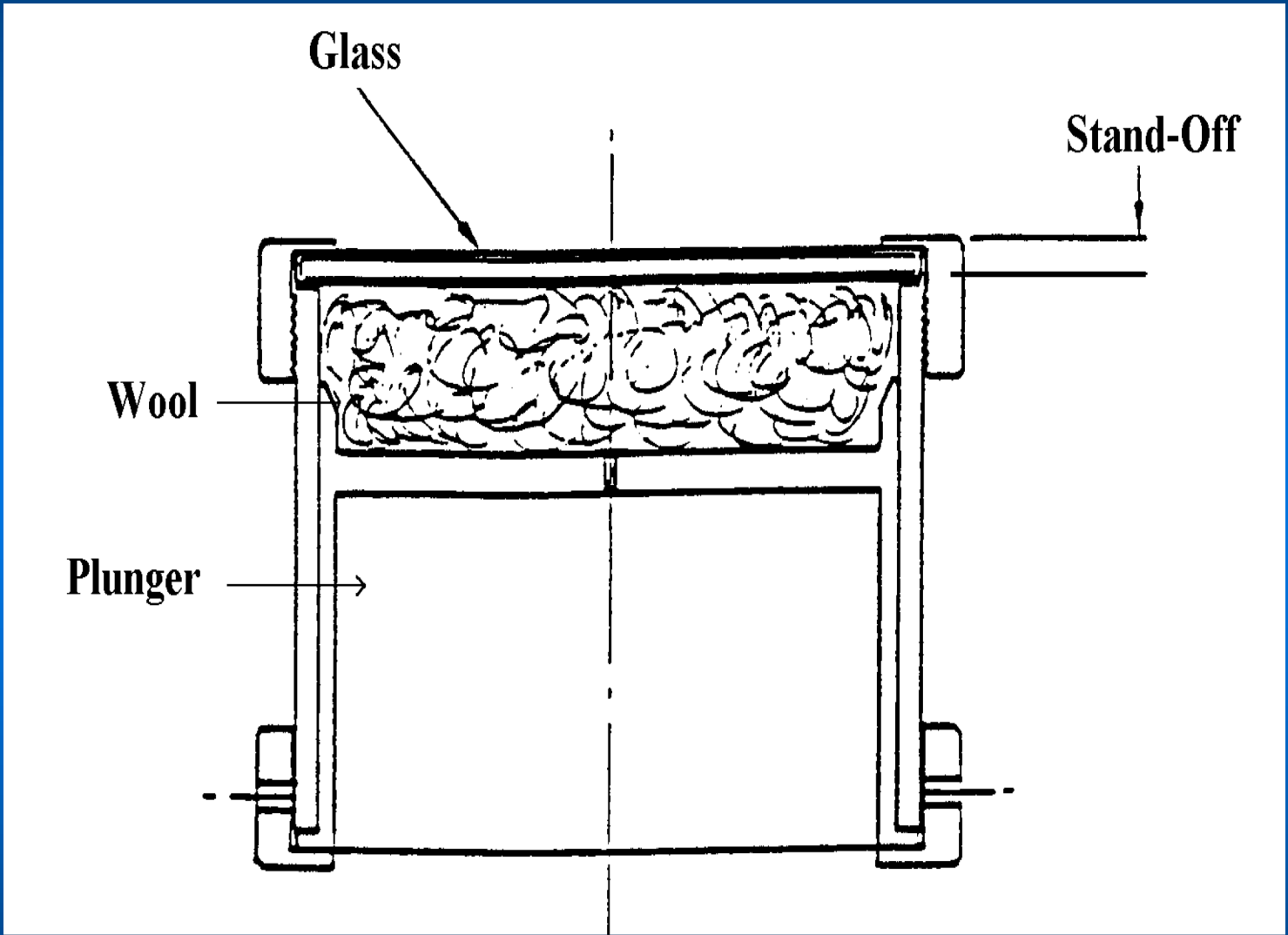
Premium

Quality

Wool



# Wool cell design



CRC  
for  
Premium  
Quality  
Wool



# Imminent Developments

- traceable calibration system
  - standard tiles
- Light source
  - Illuminant C to D65
- Observer
  - 2° to 10° observation angle

CRC

for

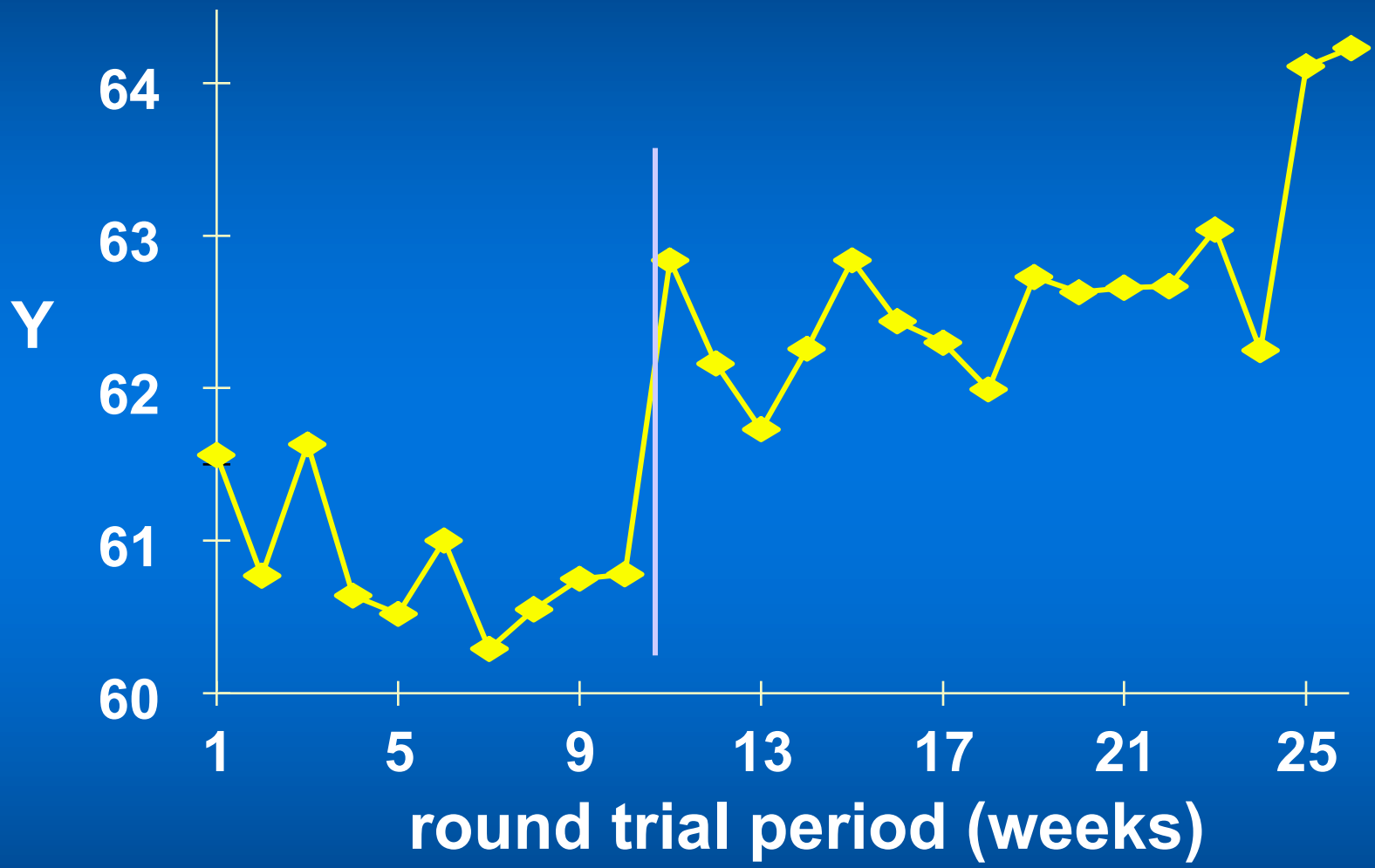
Premium

Quality

Wool



# Effect of Scouring Changes on $Y$



CRC  
for  
Premium  
Quality  
Wool



# Effect of Scouring Changes on (Y-Z)

